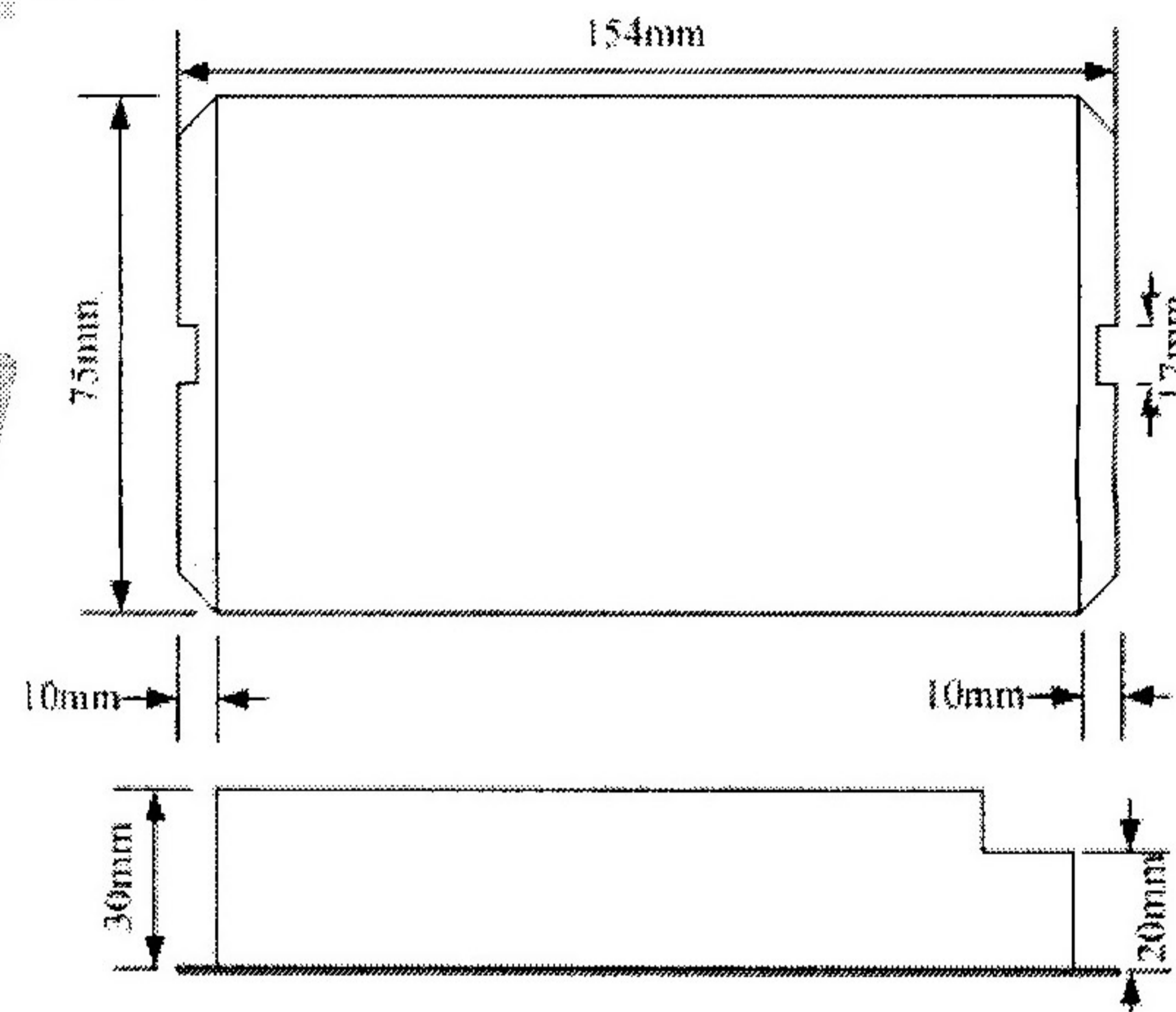


# CT602

# Multi-function LED Controller



## Features

- Three output CH,5A for each CH;
- Settled color retentive function;
- Three changing Mode;
- Eight levels speed,16 levels brightness;
- Status keeping while power off;
- Remote control;
- Easily wiring.

## Applications

- Building decoration: Commercial space, Airport, Construction project, Subway;
- Indoor decoration: Hospital, Hotel, Super store, Square, Restaurant, PUB designed lighting,
- Backlighting for domestic decoration;
- Channel letters, Signboard & Logos, Advertising lamp house;;
- Be used as large scale backlighting.

## Specification

DC V_in	9-30V
I_out	5A(Max) per channel
Size	154(L)X75(W)X30(H) mm
Weight	255g

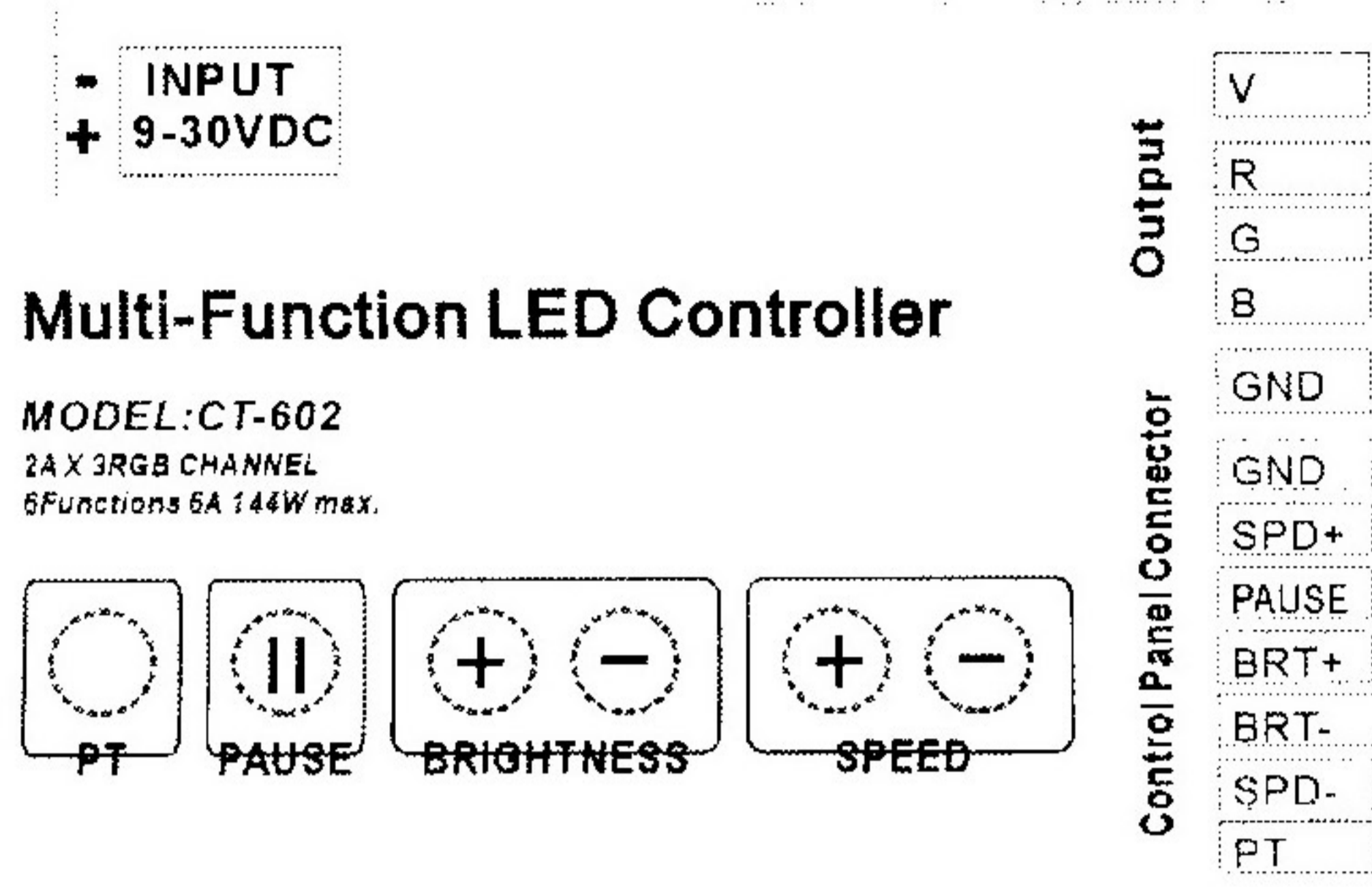
## Mode Change Instruction

Mode Name	Mode Description
M1	Seven Color Gradual Change
M2	Leaning Gradual Change
M3	Seven Color Change

## Operation Instruction

**PT:** Press it to change the mode.

**Pause:** Press it to make the LED stiaes at the present color,press it again then the color change moves on.



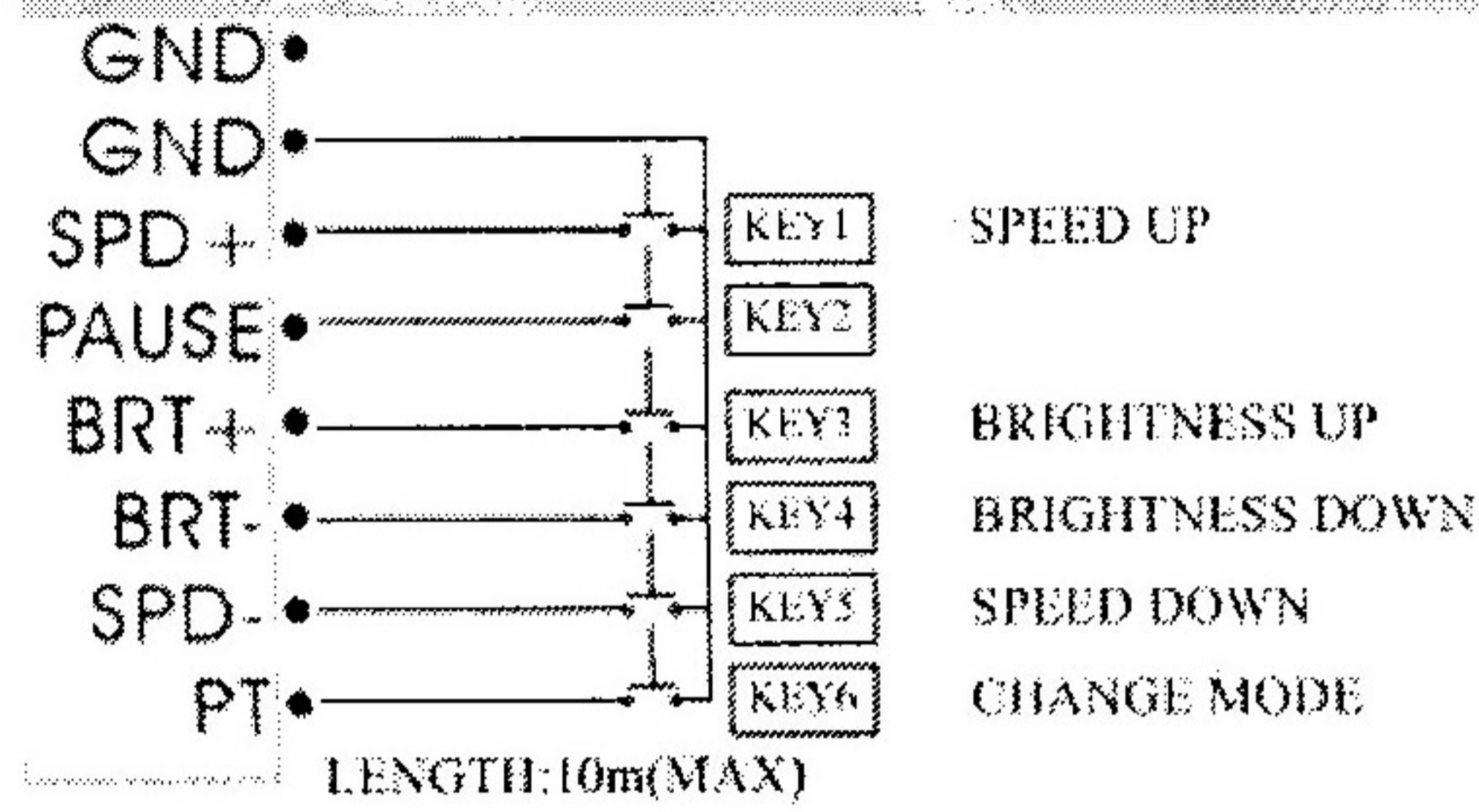
**Brightness:**

- +: Press it to make the brightness of the LED to a upper level(Default is most brightness level).
- : Press it to make the brightness of the LED to a lower level.

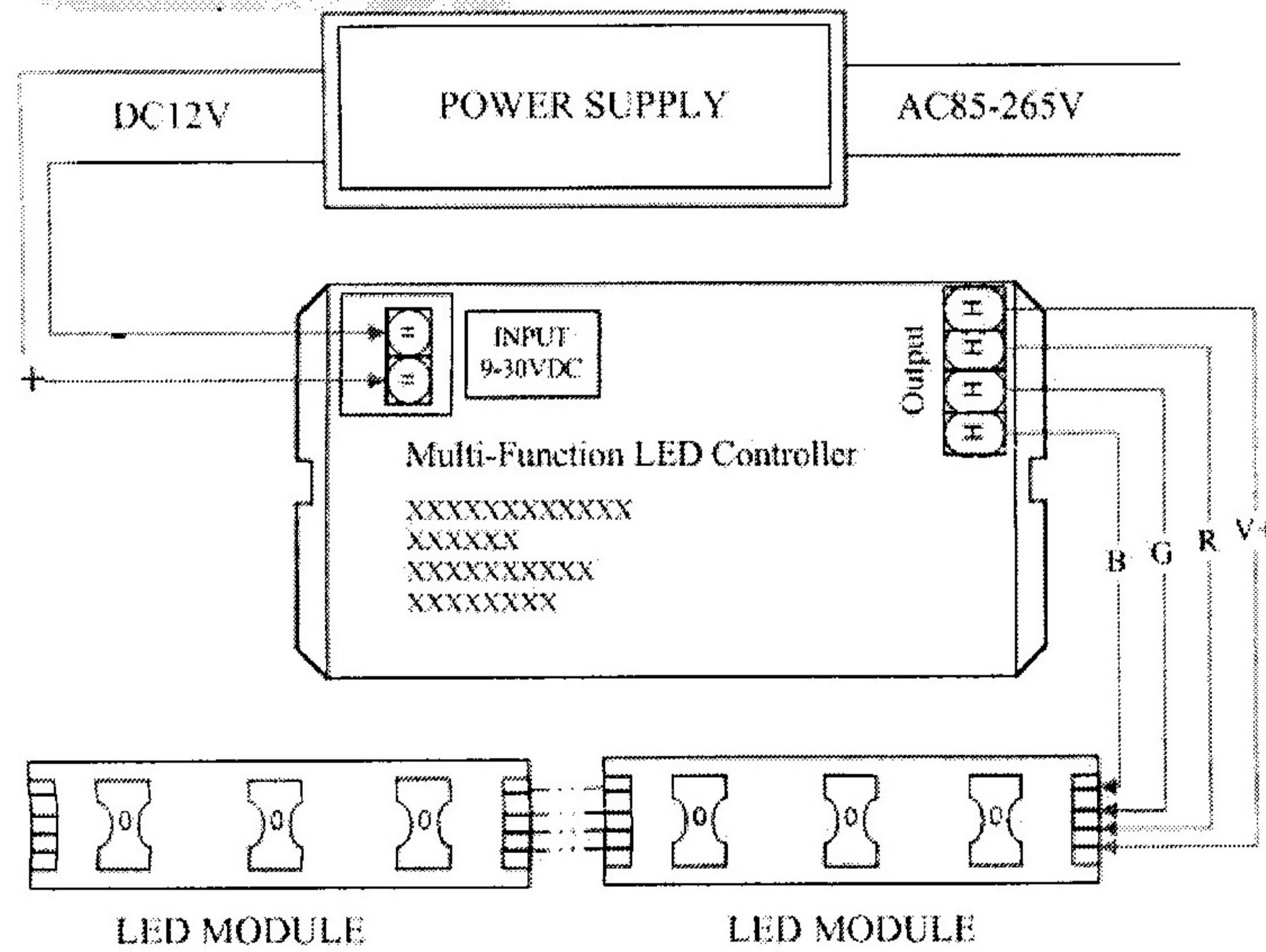
**Speed:**

- +: Press it to make the change speed of the LED to a faster level (Default is fastest level) .
- : Press it to make the change speed of the LED to a slower level.

**Wire Connection for the remote control**



**Wire Connection**



**Remark:**

- ① Can control various single color modules and RGB modules with the common anode.
- ② Can connect 100 pieces of RGB modules or 300 pieces of single color modules, or a number of high power LED lamps (according to the connection method).