

## Features:

- For repeating synchronized RGB signal
- 3 channel RGB control with max current of 5A per channel
- Accepts PWM control
- Match with many kinds of LED modules
- Connect limitless LED modules by connecting the repeaters in series

## Applications:

- Building Decoration: Business spaces, airports, subway
- Indoor Decoration: Lighting and back lighting for hospital, hotel, marketplace, square, dining-room, pub, etc  
Signage, signboards, and billboards
- Backlighting

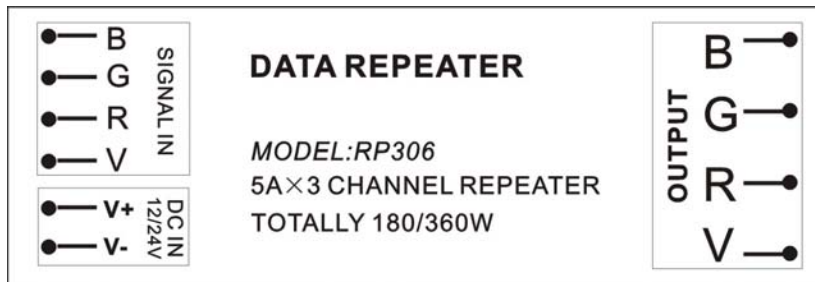
## Product Attributes:

POWER SUPPLY	DC 12-24V
I/O CHANNEL	3
P_out	5A(EACH CHANNEL Max),12V,180W/24V,360W
Size	165(L)X39(W)X26(H) mm
Weight	260g

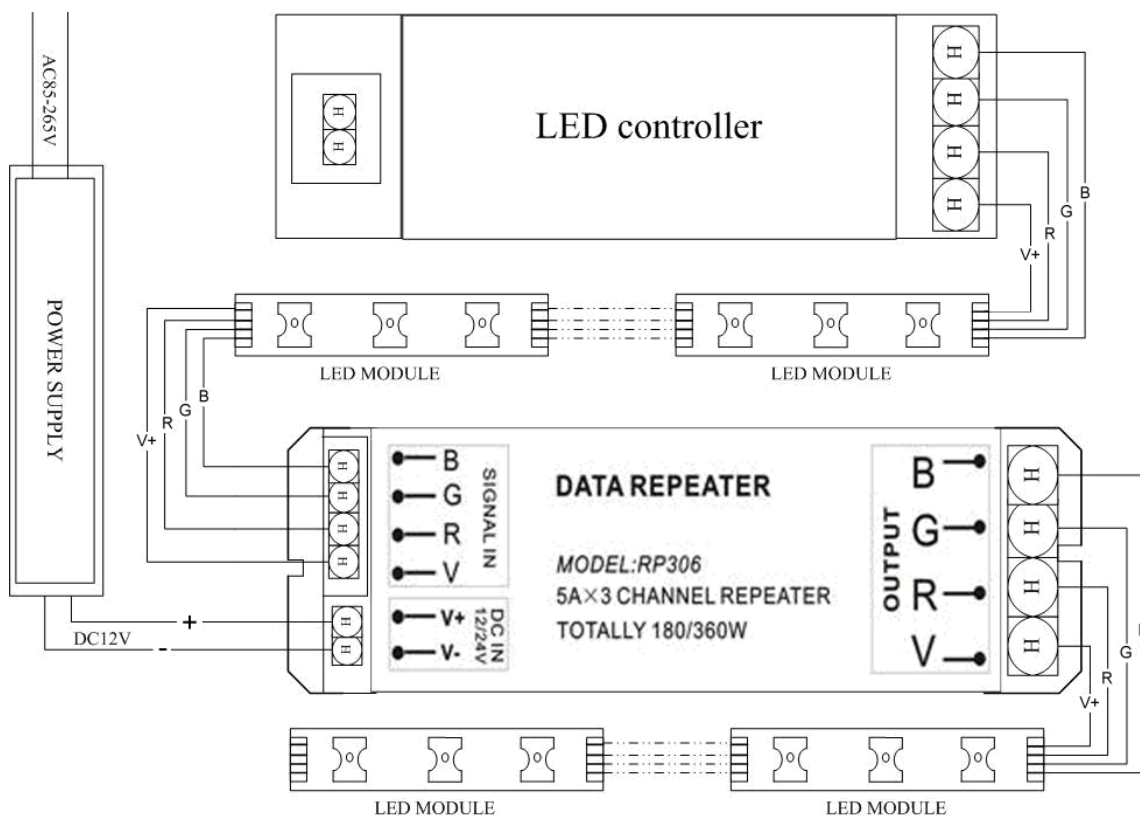
# 3-Channel General Repeater

RP306

## Panel Surface:



## Wire Connections:



## Remark:

- ① Can control various single color modules and RGB modules with the common anode.
- ② Can connect 100 pieces of RGB modules or 300 pieces of single color modules, or a number of high power LED lamps (according to the connection method).