

Product Specifications

Product Specifications



High Power DMX Decoder & Driver
Item NO.: PX24501

Meets DMX512/1990 International standard

SUMMARY

The PX series DMX512 decoder & driver series adopts advanced micro-computer control technology and converts the DMX512/1990 digital signal to analog control signal. 1~3 channels output for option and each channel able to achieve 256 gradations of controlling. It also can be used to connect the PC digital light controller and analog light modulator. It is mainly used for the controlling of buildings & lights applied LED.

Product Features

- ◆ Fits DMX512/1990 International standard
- ◆ 256 gradations and full-color control
- ◆ 3 channels output and Max.6A/CH output
- ◆ Can achieve an asynchronous color change effect with DMX control system.
- ◆ The light color selection mechanism is able to control the light with 1~3 colors
- ◆ Sets the DMX address code freely
- ◆ Has a good noiseproof feature, and over-circuit protection

Technology parameters

Decode Channel. : 3 Channels

Control Signal Input DMX-512/1990 Standard digital signal

Output: 0~24VDC(Customizable0~12V)

Power Supply: INPUT:DC6V-DC24V

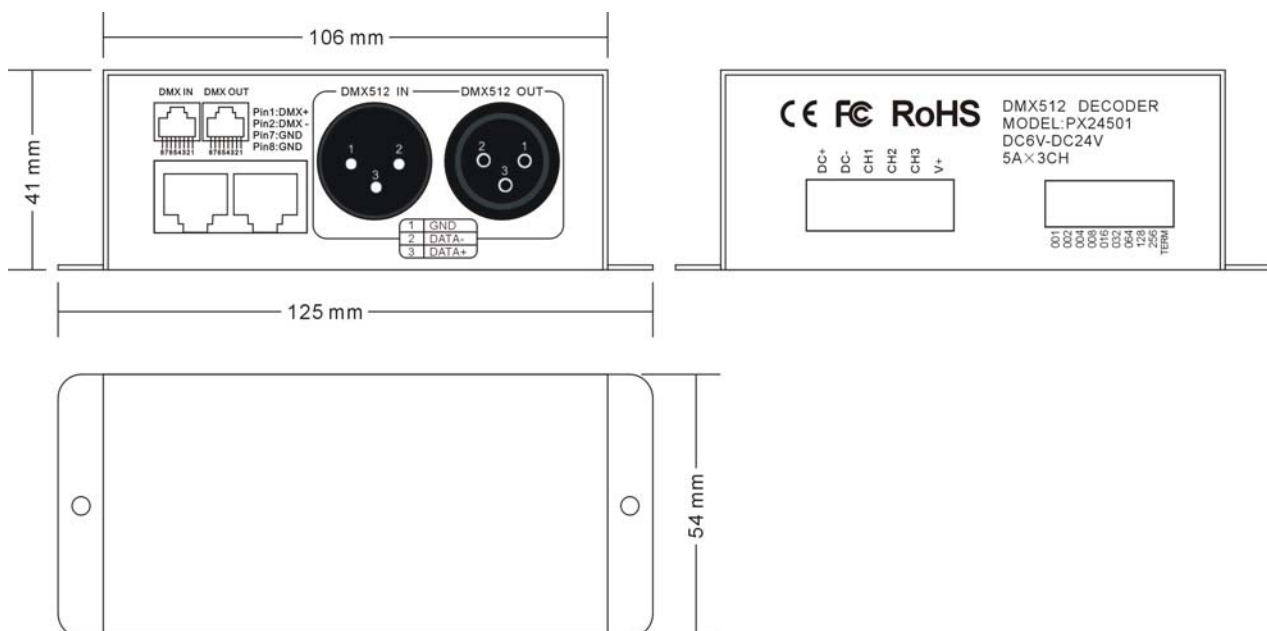
Power Output: <360W

Work Temp.: 0~70℃

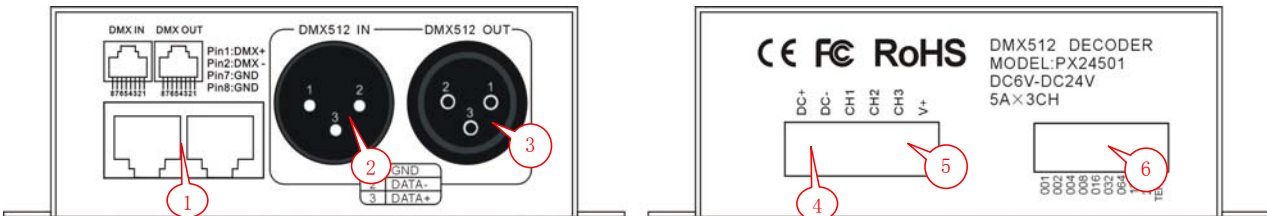
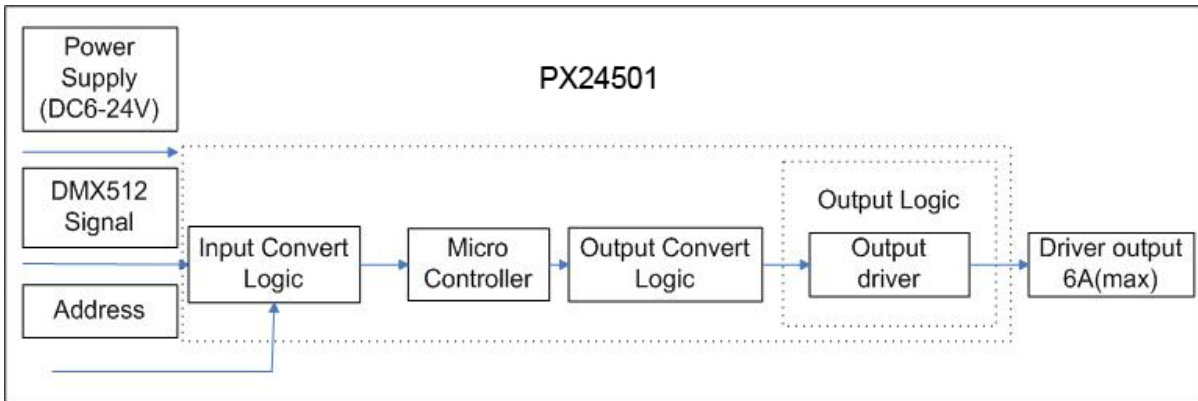
Size: L125(mm)*W54(mm)*H41(mm)

Weight: 256g

Dimensions:



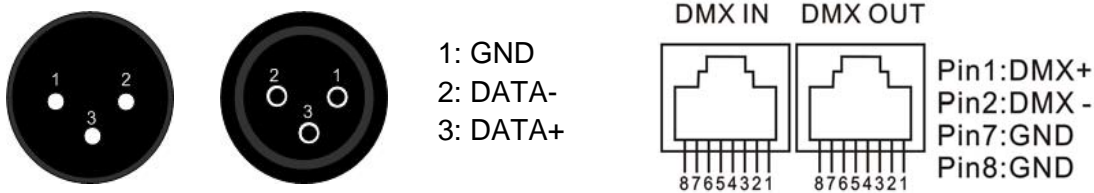
Structure



- (1) RJ45 Signal input and output interfaces
- (2) DMX signal input interface
- (3) DMX signal output interface
- (4) Power input interface
- (5) Driver output interface
- (6) Address setting interface

Interface Introduction

◆ XLR-3 DMX Signal Interface



◆ Address code setting interface

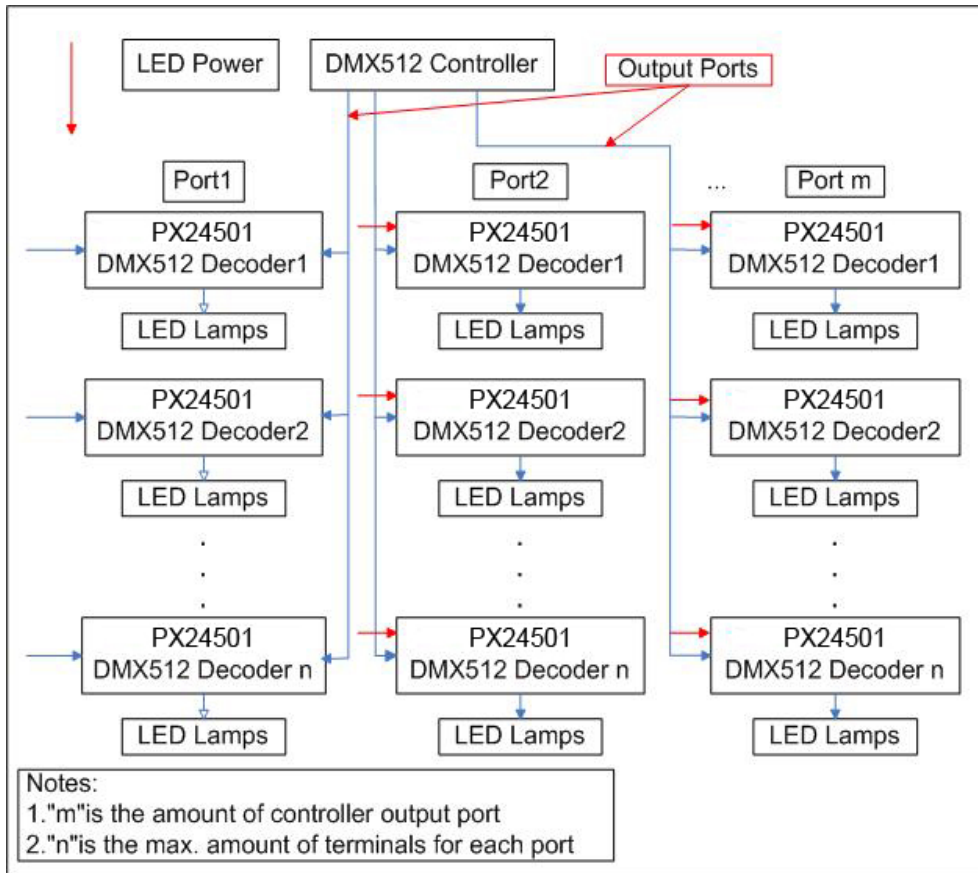
How to use See "Addresses dial code table of DMX series "

Remarks:

Connect the anode and RGB wire of common anode RGB module to the output interface of decoder directly; Connect the anode wire of single-color module to V+ on decoder, and connect the cathode wire to one of RGB pin according to the LED's color; Connect several colors single-color module to one decoder, please connect their anode wires to V+ pin on decoder.

Operating instructions

PX24501 Decoder & Driver controlled by DMX512 controller,
The connection diagram is as follows.



Connecting the DMX-512 Signal Cable

- ◆ DMX signal cable uses a CAT-5 cable or three-core shielded cable, and DMX signal has a positive(+) pole and negative (-) pole. While welding the DMX signal cable plug, pay close attention to distinguish between positive(+) and negative(-), and then connect the DMX512 signal cable with the corresponding input interface of PX24501 correctly.
- ◆ Connect a signal terminal at the end of the whole connection.