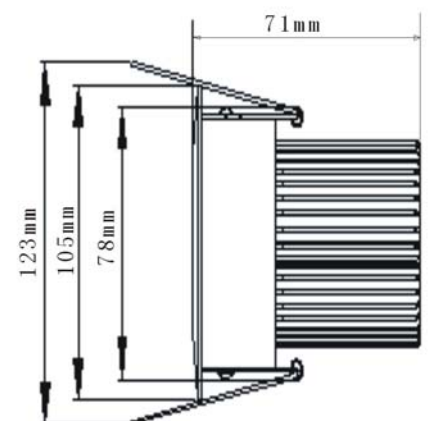

Power LED downlight --- a new type of LED light has been specially developed for use in residential areas, shopping centres and hotels, where daily and partial illumination is required. It is metal shelled. The attractive, updated look and reliable high brightness, makes it the ideal type of illumination for residential and commercial accent lighting applications.

Product Characteristics:

7 x 1 W

- Dimension(mm) : $\Phi 105 \times 71$
- Main material Anodized aluminum
- Power consumption(W) $7 \pm 5\%$
- Input current(mA) $330 \pm 5\%$
- Input voltage(V) : 85-260
- LED quantity(Pcs) : 7
- Color : White / Warm white
- Luminous flux(Lm) : $550 \pm 5\%$
- Color temperature(K) : (w)6000-6500/(ww)2800-3300
- Life expectancy(h) : 50000 2 year pro-rated warranty

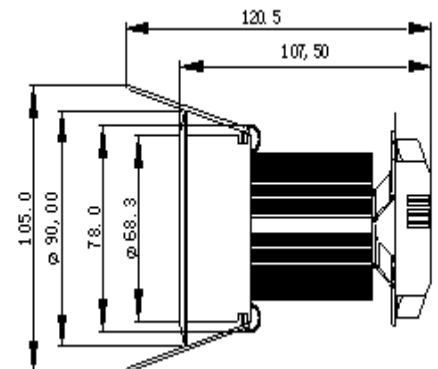


Note! There is an error on the diagram above. The inner measurement is 88mm and NOT 78mm as shown. Refer to web page for accurate dimensions.

Product Characteristics:

3x3W

- Dimension(mm) : $\Phi 90 \times 107.5$
- Main material Anodized aluminum
- Power consumption(W) $9 \pm 5\%$
- Input current(mA) $450 \pm 5\%$
- Input voltage(V) : 85-260
- LED quantity(Pcs) : 3
- Color : White / Warm white
- Luminous flux(Lm) : $450 \pm 5\%$
- Color temperature(K) : (w)6000-6500/(ww)2800-3300
- Life expectancy(h) : 50000, 2 year prorated warranty



Features:

- Fine monochromaticity,gentle light, high luminous efficiency.
- Cold light source, no heat emission, no hazardous substances such as mercury, environmentally-friendly.
- Low power consumption, low heat-emitting light output, (not for direct contact with insulation or combustibles.)
- Operating temperature: **-20 -- +50°C**,high speed of response.
- Unique and elegant design, easy to installed and adjusted.

Applications:

Stores, offices, hotels, hospitals, schools, airports, sports,
Shopping centres, etc.



Buy it at www.TheLEDLight.com
Sales@TheLEDLight.com

1-775-841-4490 - Sales office hours Monday through Friday, 9AM to 3PM Pacific Time